



Rechargeable battery clinch and pierce unit ULBG 602

BTM

[Europe]
Blechverbindungstechnik
GmbH



**Exchangeable
tool holder!**



Battery &
mains operation



Single-hand
control



Features:

- **Clinch operation:**
Up to 6 mm in mild steel
Up to 6 mm in aluminium
- **Pierce operation:**
Max. sheet metal thickness depends on size
of punching hole and material
- **Ergonomic** design
- Stroke limitation by mechanical device,
electronically regulated
- Handling weight
incl. rechargeable battery only **5.6 kg¹**
- Tool holder **turnable to 360°**
- Various **tool holders** available
as C-frame and X-frame
- Quick press stroke with automatic back stroke
via single handed control
- Powerful **Li-Ion** rechargeable battery
for optimal power
- USB connection **for process control**
- also available with power supply unit
(230 V/110 V)

¹C-frame (Steel) with 38 mm throat depth

BTM [Europe] Blechverbindungstechnik GmbH
Handwerkerstraße 6 · D-59597 Erwitte
Tel.: +49 (0) 29 43/97 90-0 · Fax +49 (0) 29 43/97 90-90
www.btm-europe.de · info@btm-europe.de

Location South: BTM [Europe] Blechverbindungstechnik GmbH
Am Fuchsgraben 13 · D-77880 Sasbach/Ortenau
Tel.: +49 (0) 78 41/681 36 0 · Fax +49 (0) 78 41/681 36 25
www.btm-europe.de · info-sued@btm-europe.de

BTM



Rechargeable battery clinch and pierce unit ULBG 602

BTM

[Europe]
Blechverbindungstechnik
GmbH

The **BTM clinch and pierce unit ULBG 602** has been designed as a mobile and robust hand held clinch unit with a very high joining force at low handling weight. Therefore, the **ULBG 602** is perfectly suitable for mobile use in- and outside a factory.

Due to its ergonomic and compact construction principle, easy handling is possible even with narrow dimensions.

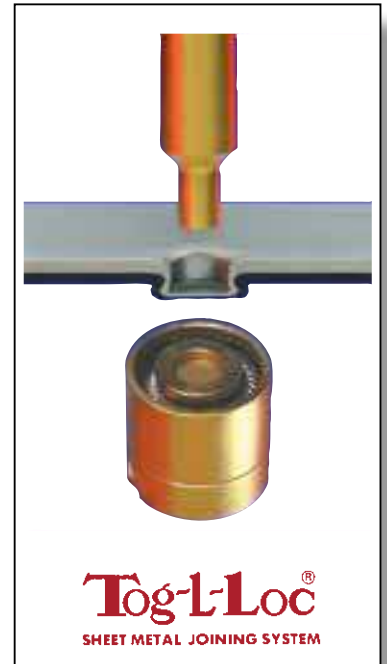
The joining stroke is activated by one push button, when reaching the front position a retract stroke will be initiated automatically. The pressing procedure can be interrupted at any time.

Clinching procedure

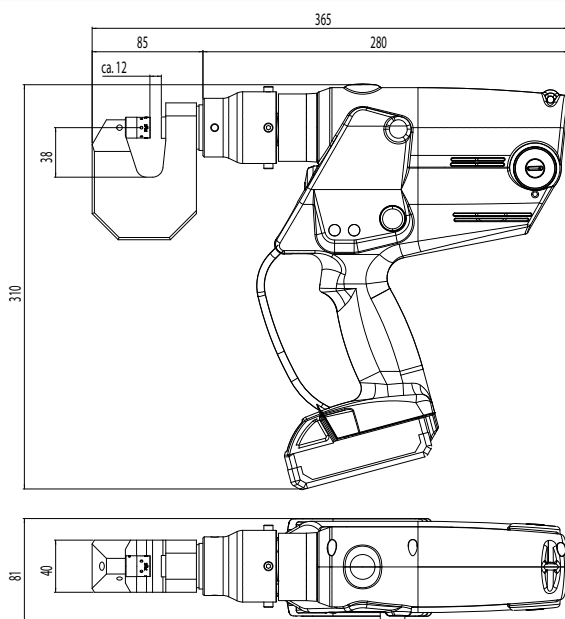
CLAMP DRAW INTERLOCK



THE METAL IS CLAMPED THE PUNCH DRAWS THE METAL INTO DIE THE JOINT IS FORMED



Technical details: ULBG 602



| | |
|------------------------------------|--|
| Weight with battery: | 4,1 kg unit only |
| Total weight: | 5.6 kg with C-frame (38 mm throat depth) |
| Max. clinch force: | 20 - 60 kN electronically adjustable |
| Stroke: | 12-25 mm adjustable |
| Cycle time: | depends on length of stroke |
| Clinch tooling¹: | punch and die reversibly exchangeable |
| Rechargeable battery: | 18V/3 Ah Li-Ion |
| Battery capacity: | approx. 400 strokes - depends on length of stroke - |
| Charging time: | approx. 45 min |

¹ depends on style of tooling head

Scope of supply:
Power unit, tooling head with clinch or punch tool, rechargeable battery, charger

BTM [Europe] Blechverbindungstechnik GmbH
Handwerkerstraße 6 · D-59597 Erwitte
Tel.: +49 (0) 29 43/97 90-0 · Fax +49 (0) 29 43/97 90-90
www.btm-europe.de · info@btm-europe.de

Location South: BTM [Europe] Blechverbindungstechnik GmbH
Am Fuchsgraben 13 · D-77880 Sasbach/Ortenau
Tel.: +49 (0) 78 41/681 36 0 · Fax +49 (0) 78 41/681 36 25
www.btm-europe.de · info-sued@btm-europe.de

BTM

www.btm-europe.de