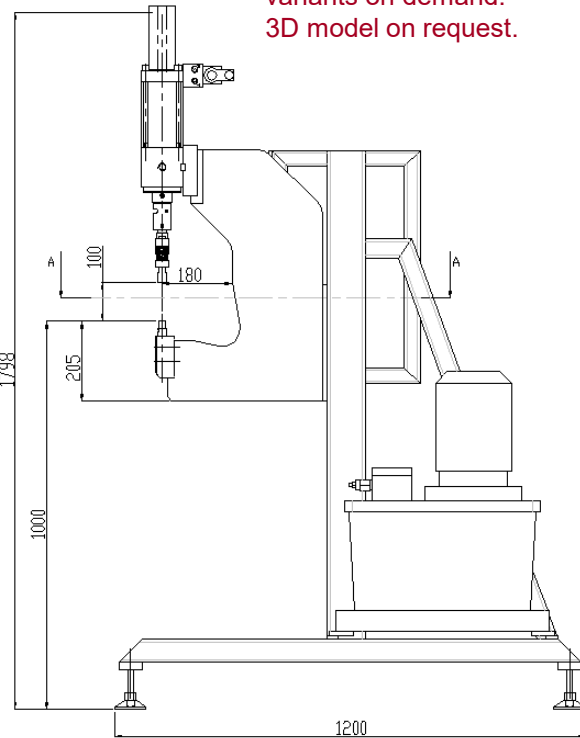


* Further dimensions and variants on demand.
3D model on request.



Clinching machine SHCU 8-180

Technical specifications:

Press force:	80 kN
Total stroke:	100 mm
	via foot pedal release
Advance stroke:	94 mm, free adjustable,
	via foot pedal release
Power stroke:	6 mm*
Throat depth:	180 mm*
Weight:	approx. 300 kg
Sheet thickness:	max. 4 mm total
Ram:	anti rotate protected