

Clinch- and pierce unit ULG

BTM

[Europe]
Blechverbindungstechnik
GmbH

ULG SN7-10



Single-hand
control

ULG SN4



ULG SN6-10

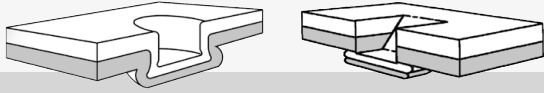
Features:

- **Clinch operation:**
 $t_{total} = 3 \text{ mm}$ steel and aluminum
- **Pierce operation:**
 $t_{total} = 4,5 \text{ mm}$ at $\varnothing 6 \text{ mm}$ and mild steel
- > **2,2 kg** inclusiv C-frame
- > 15 to 28 kN press force
- low air consumption (e.g. SN7: 3,4l/cycle)
- silent (< 75 db(A))
- vibration-free
- wide range of **tooling heads**
- **rapid cycle time** ($\leq 1 \text{ s}$)
- air supply

Location South: BTM [Europe] Blechverbindungstechnik GmbH
Am Fuchsgraben 13 · D-77880 Sasbach/Ortenau
Tel.: +49 (0) 78 41/681 36 0 · Fax +49 (0) 78 41/681 36 25
www.btm-europe.de · info-sued@btm-europe.de

Location North: BTM [Europe] Blechverbindungstechnik GmbH
Handwerkerstraße 6 · D-59597 Erwitte
Tel.: +49 (0) 29 43/97 90-0 · Fax +49 (0) 29 43/97 90-90
www.btm-europe.de · info@btm-europe.de

BTM



Clinch- and pierce unit ULG

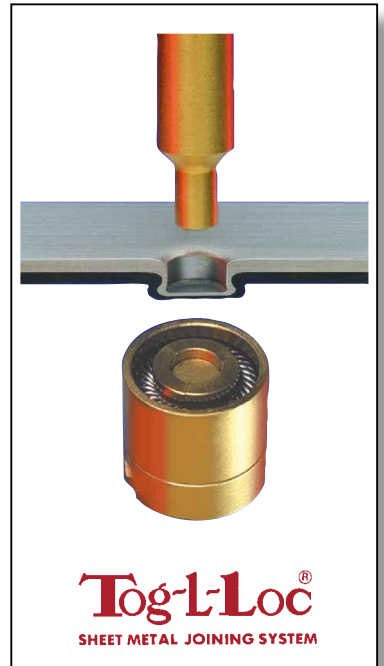
BTM

[Europe]
Blechverbindungstechnik
GmbH

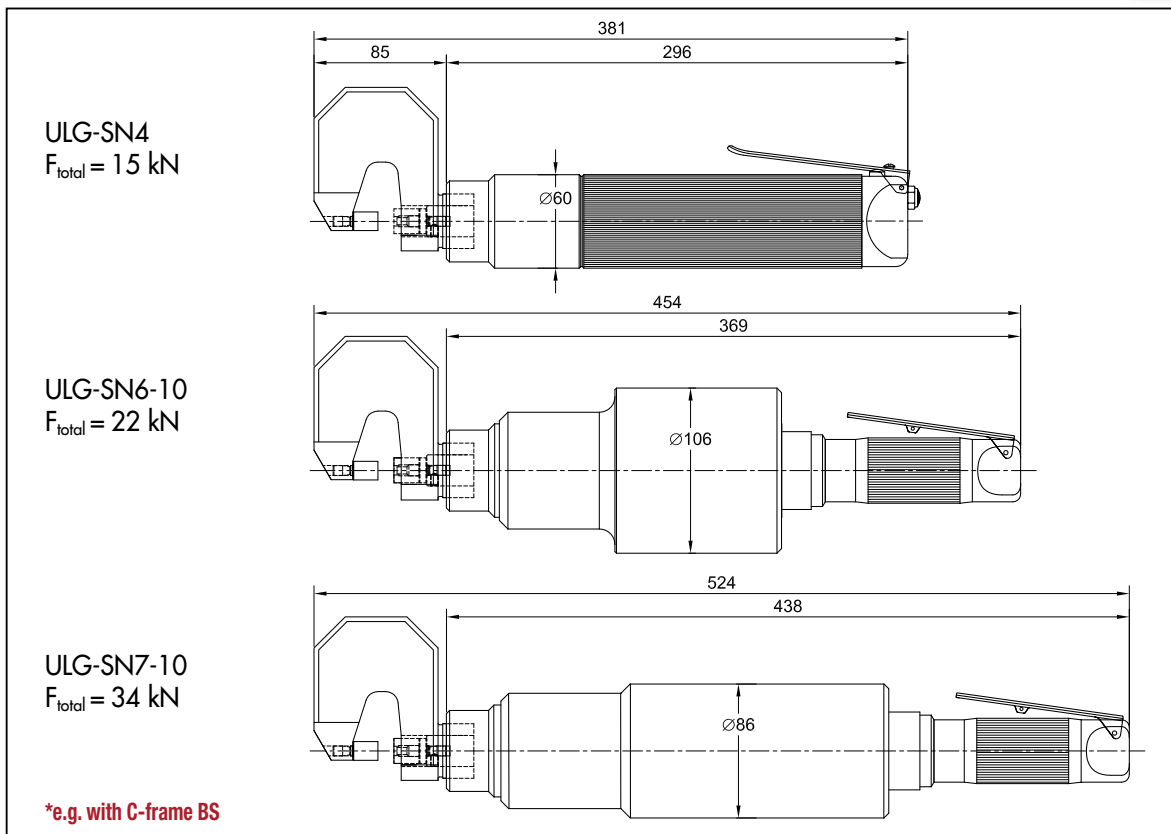
The pneumo-hydraulic **BTM clinch and pierce units ULG 4 – ULG 7** combine high joining force with rapid cycle time. The well-balanced, light-weight and ergonomic construction of the units minimize the stress on the user.

The integrated air-oil-booster runs silently and completely vibration-free. 6 bar air supply activate the drive system. The joining stroke can be released by a hand lever. Also a foot pedal release is available.

BTM ULG clinch units offer an extremely high level of integrity in use. Due to their modular design, a wide range of tooling heads such as several C-frames, scissor heads respectively special heads can be offered.



*Dimensions ULG SN4/SN6-10/SN7-10



Location South: BTM [Europe] Blechverbindungstechnik GmbH
Am Fuchsgraben 13 · D-77880 Sasbach/Ortenau
Tel.: +49 (0) 78 41/681 36 0 · Fax +49 (0) 78 41/681 36 25
www.btm-europe.de · info-sued@btm-europe.de

Location North: BTM [Europe] Blechverbindungstechnik GmbH
Handwerkerstraße 6 · D-59597 Erwitte
Tel.: +49 (0) 29 43/97 90-0 · Fax +49 (0) 29 43/97 90-90
www.btm-europe.de · info@btm-europe.de

BTM