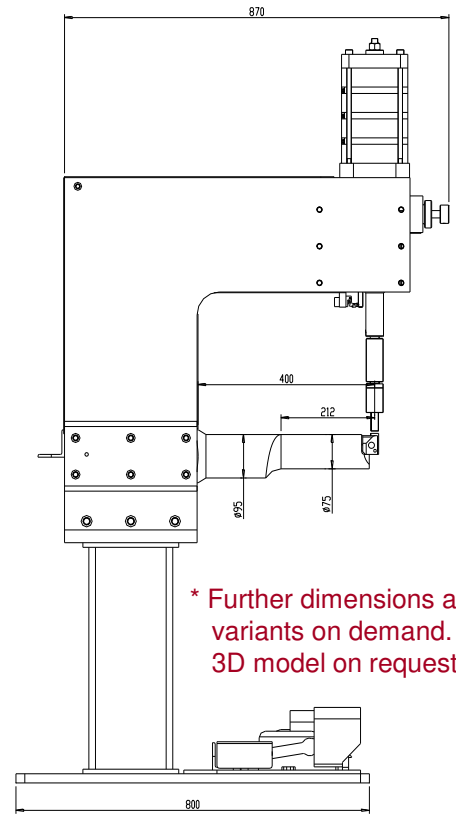




Single Joint Clinch Unit SCU 701

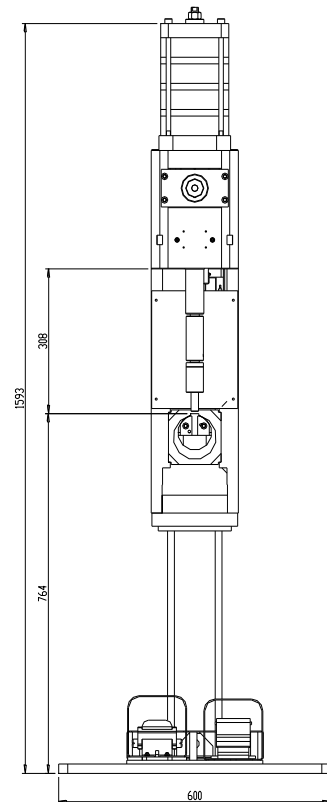


* Further dimensions and variants on demand. 3D model on request.

Single Joint Clinch Unit SCU 701

Technical specifications:

Type of drive:	6 bar compressed air
Press force:	35 kN*
Power stroke:	8 mm
via foot pedal release	
Advance stroke:	55 mm
via foot pedal release	
Total stroke:	63 mm
Throat depth:	400 mm*
Weight :	approx. 500kg
Tooling size:	up to Ø 4,6 mm Tog-L-Loc® (round point) and 4,6 mm Lance-N-Loc® (rectangle point)
Sheet thickness:	max. 5 mm overall
Ram:	secured against twisting
Working height:	stepless electrically adjustable



South Office : BTM [Europe] Blechverbindungstechnik GmbH
Am Fuchsgraben 13 – D-77880 Sasbach/Ortenau
Tel.: +49 (0) 78 41/68 136-0 – Fax +49 (0) 78 41/68 136-25
www.btm-europe.de – info-sued@btm-europe.de

North Office : BTM [Europe] Blechverbindungstechnik GmbH
Handwerkerstraße 6 – D-59597 Erwitte
Tel.: +49 (0) 29 43/97 90-0 – Fax +49 (0) 29 43/97 90-90
www.btm-europe.de – info@btm-europe.de