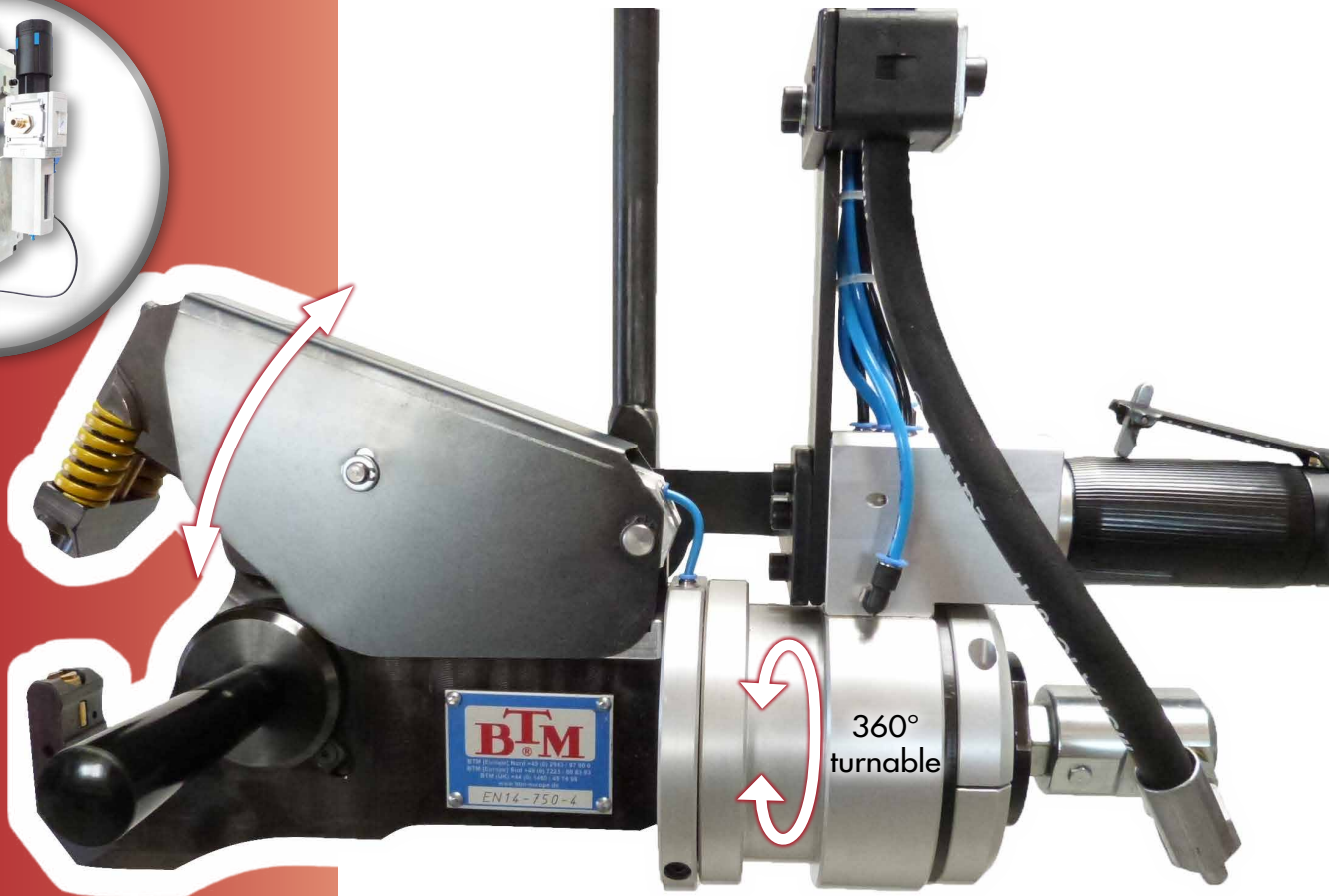
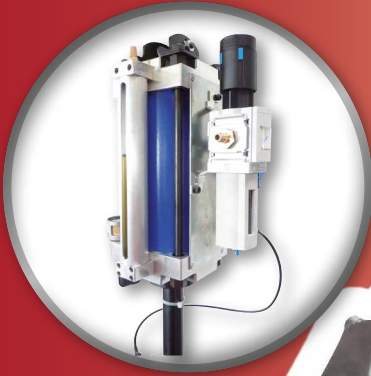


Crocodile Clinch Unit CCU 4-50

BTM

[Europe]
Blechverbindungstechnik
GmbH

Booster



Single-hand
control

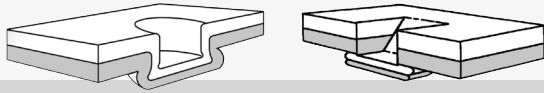
Features:

- multiple use of clinch gun
- **wide opening** by automatically movable jaw
- comfortable access to parts
- safe and controlled power stroke
- **robust** design
- **easy** handling
- pressure switch for **reliable** automatic clinch cycle (operator-independent)
- air save device
- **short** cycle time
- adjustable stroke limitation
- usage of round and rectangular joint
- **360° turnable** - with detents every 90°
- optional: gimbal

Location South: BTM [Europe] Blechverbindungstechnik GmbH
Am Fuchsgraben 13 · D-77880 Sasbach/Ortenau
Tel.: +49 (0) 78 41/681 36 0 · Fax +49 (0) 78 41/681 36 25
www.btm-europe.de · info-sued@btm-europe.de

Location North: BTM [Europe] Blechverbindungstechnik GmbH
Handwerkerstraße 6 · D-59597 Erwitte
Tel.: +49 (0) 29 43/97 90-0 · Fax +49 (0) 29 43/97 90-90
www.btm-europe.de · info@btm-europe.de

BTM



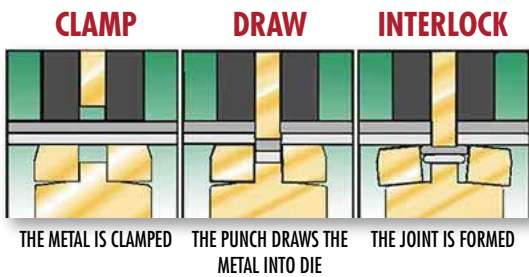
BTM Crocodile Clinch Unit CCU 4-50



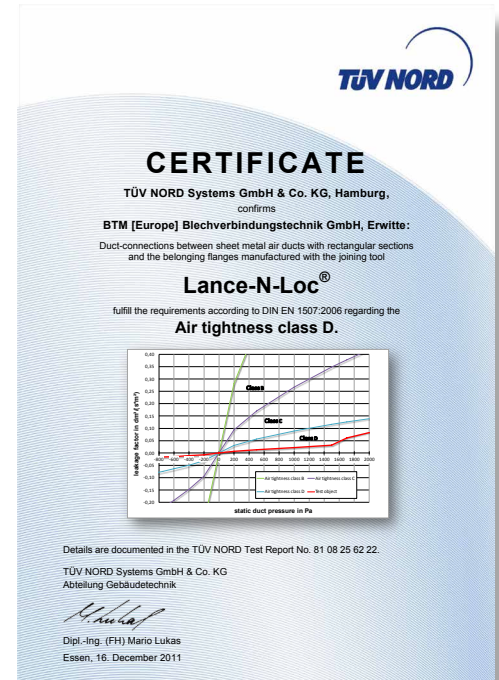
[Europe]
Blechverbindungstechnik
GmbH

The BTM crocodile unit is characterized by its high clinch force together with a short cycle time. The **integrated rotary suspension** design allows rotating the clinch unit by 360° without twisting the hydraulic and pneumatic control hoses. The rotary suspension is equipped with detents every 90° to ensure easy handling in rectangular products.

This clinch unit can be powered by a pneumo-hydraulic intensifier (Booster) with just 6 bars air supply or with a hydraulic power pack and electric controls.



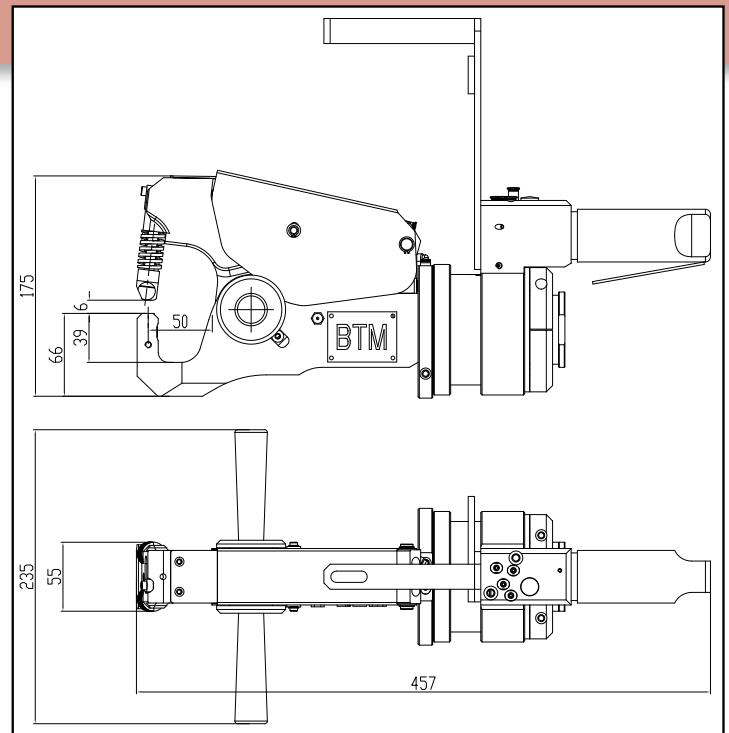
**systematic illustration of
clinch sequence**
Lance-N-Loc® rectangular joint



Technical details CCU 4-50

Weight of clinch gun:	13.0 kg
max. Clinch force	40 kN
Cycle time:	1-1.5 s
Power stroke:	6 mm
Opening:	41 mm
Throat depth:	50 mm
Max. sheet metal thickness	3.5 mm
Power supply	pneumo-hydraulic Booster 360 bar with 6 bar air supply optionally: hydraulic with 380 V power supply

Scope of supply:
one set of tools included and set up to sheet metal thickness.



Location South: BTM [Europe] Blechverbindungstechnik GmbH
Am Fuchsgraben 13 · D-77880 Sasbach/Ortenau
Tel.: +49 (0) 78 41/681 36 0 · Fax +49 (0) 78 41/681 36 25
www.btm-europe.de · info-sued@btm-europe.de

Location North: BTM [Europe] Blechverbindungstechnik GmbH
Handwerkerstraße 6 · D-59597 Erwitte
Tel.: +49 (0) 29 43/97 90-0 · Fax +49 (0) 29 43/97 90-90
www.btm-europe.de · info@btm-europe.de



www.btm-europe.de